

# Data Sheet

## Installation Diagram



Rex-Royal S500 MCT-HS  
EN | Edition 05/2024

### Reservation of intellectual property

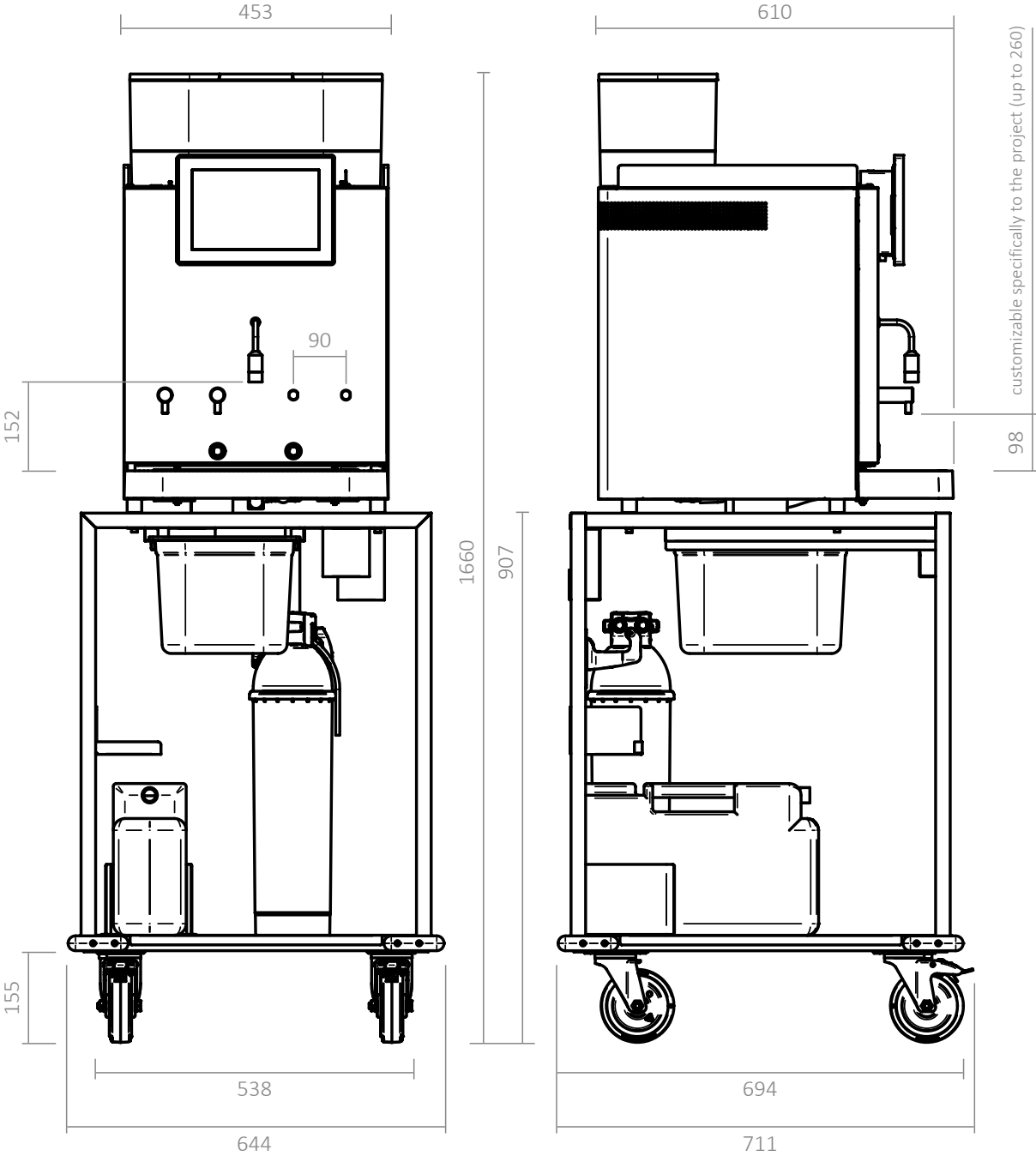
This document and its entire contents are protected by copyright and are the intellectual property of Rex-Royal AG. The document must not be passed on to third parties and is only allowed to be used for the intended purpose. It must be kept in a safe place and protected from access by unauthorised persons.



# Rex-Royal S500 MCT-HS

Single Mobile Unit

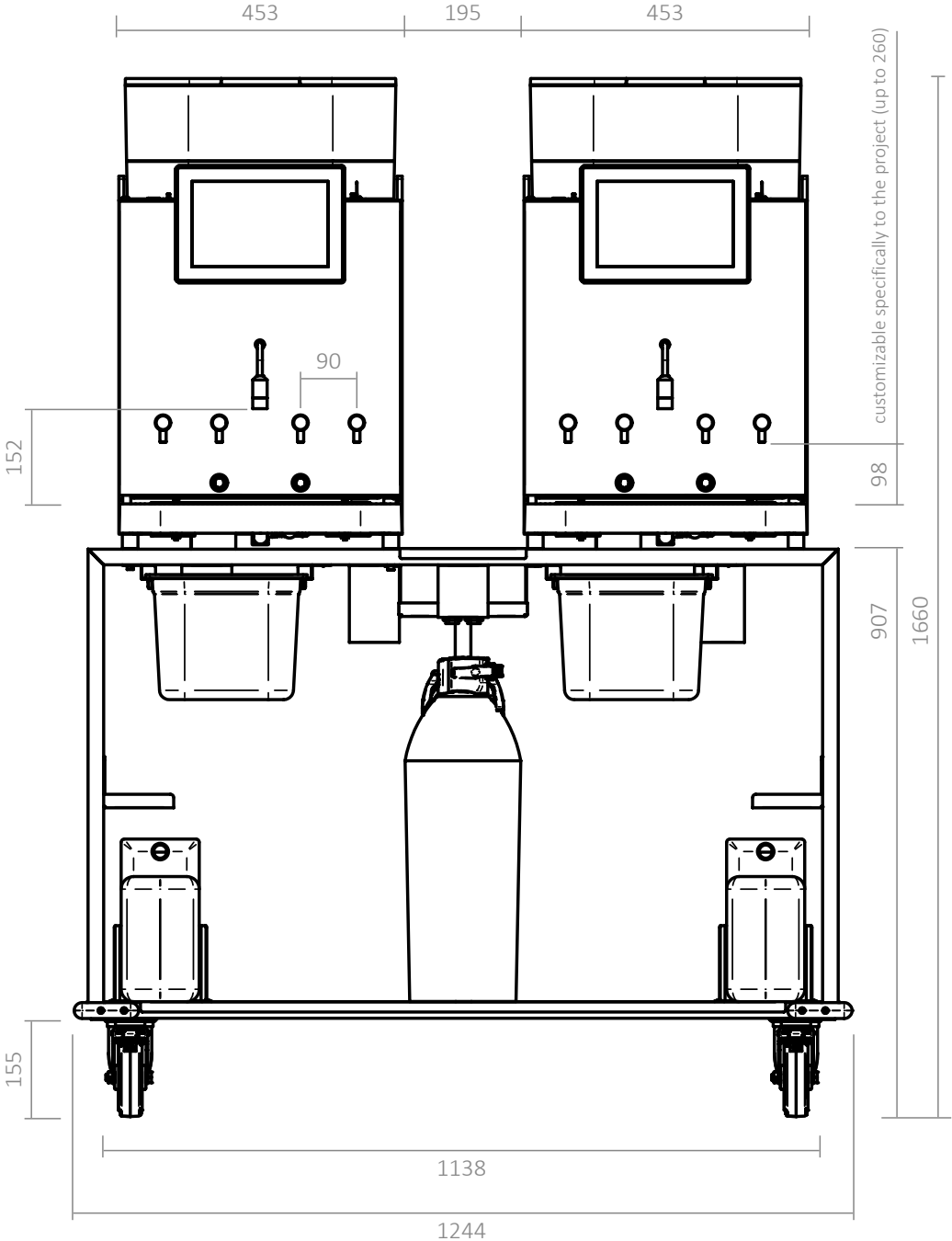
## Dimensions (mm)

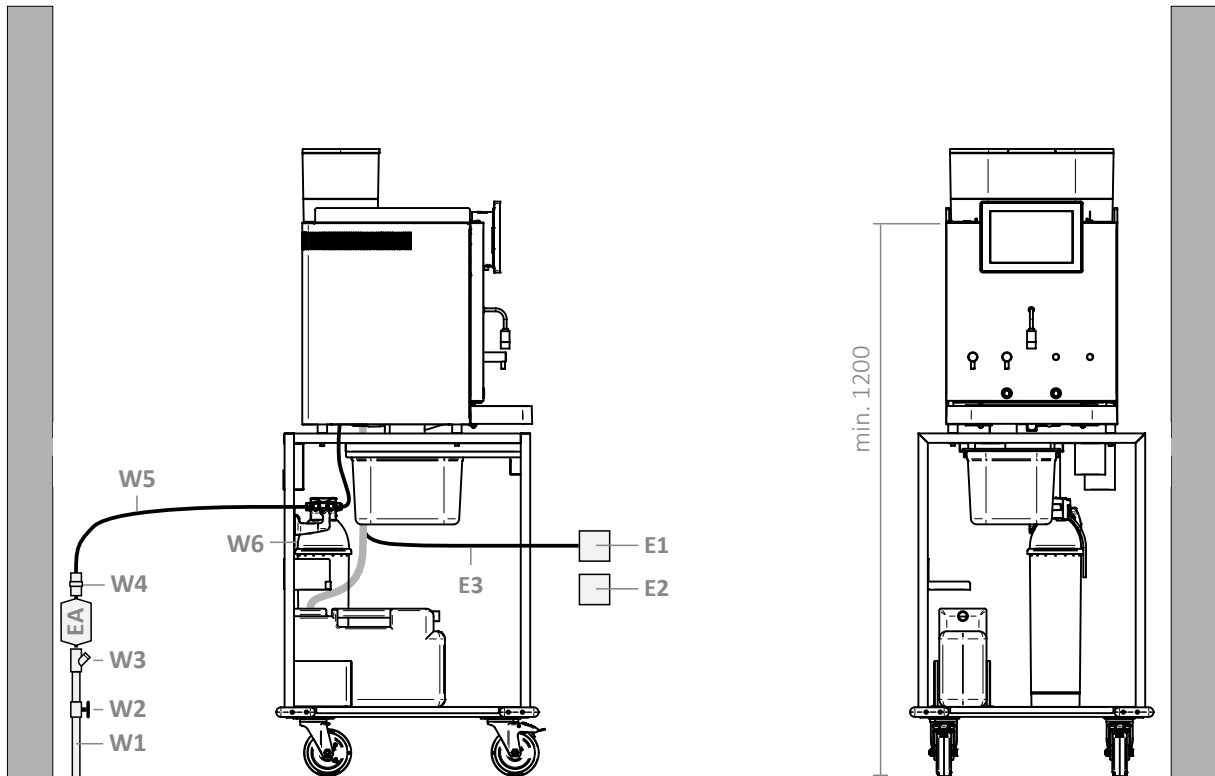


# Rex-Royal S500 MCT-HS

Double Mobile Unit

Dimensions (mm)





#### Connections

|      |   |                        |                |                                    |              |      |
|------|---|------------------------|----------------|------------------------------------|--------------|------|
| E1   | Electrical socket Type 25 oder CEE16 <small>(on site)</small>         | for Single Mobile Unit | 380 - 415 V    | 50/60 Hz                           | 8.0 - 9.5 kW | 16 A |
| E1+2 | Electrical sockets Type 25 oder CEE16 <small>(on site)</small>        | for Single Mobile Unit | 2x 380 - 415 V | 50/60 Hz                           | 8.0 - 9.5 kW | 16 A |
| E3   | Power Cable <small>(delivery Rex-Royal)</small>                       |                        | 5 m            |                                    |              |      |
| EA   | Check valve <small>(on site)</small>                                  | G 3/8" male thread     | Type EA        | EN13959 tested/certified           |              |      |
| W1   | Cold water supply <small>(on site)</small>                            |                        |                |                                    |              |      |
| W2   | Water tap <small>(on site)</small>                                    |                        |                |                                    |              |      |
| W3   | Fine filter <small>(on site)</small>                                  |                        |                |                                    |              |      |
| W4   | Quick release connector for water <small>(delivery Rex-Royal)</small> | G 3/8" female thread   |                |                                    |              |      |
| W5   | Connection tube <small>(delivery Rex-Royal)</small>                   |                        | 2 m            | EN13618 - EN61770 tested/certified |              |      |
| W6   | Water filter / softener <small>(delivery Rex-Royal)</small>           |                        |                | EN14743                            |              |      |

#### Water Quality

|                       |             |                              |              |           |              |
|-----------------------|-------------|------------------------------|--------------|-----------|--------------|
| Water pressure        | 1 - 5 bar   | Total hardness               | 8 - 14° fH   | 5 - 8° dH | 89 - 142 ppm |
| Flow rate             | < 0.1 l/sec | Carbonate hardness           | 6 - 10° fH   | 3 - 6° dH | 54 - 107 ppm |
| Chlorine content      | < 30 ppm/l  | Alkalinity                   | 80 - 160 ppm |           |              |
| Electric conductivity | 60 - 220 µS | TDS (Total Dissolved Solids) | 70 - 500 ppm |           |              |

#### Performance (pots/hour)

|               |       |                         |      |
|---------------|-------|-------------------------|------|
| Coffee 200 ml | < 150 | Hot water (liters/hour) | < 58 |
| Milk 200 ml   | < 150 |                         |      |

#### Capacity

|                |           |                          |      |
|----------------|-----------|--------------------------|------|
| Bean container | 2x 1.5 kg | Insert for coffee powder | 23 g |
|----------------|-----------|--------------------------|------|

#### Versions

|                             |        |                             |        |
|-----------------------------|--------|-----------------------------|--------|
| MCT-HS (Single Mobile Unit) | 120 kg | MCT-HS (Double Mobile Unit) | 200 kg |
|-----------------------------|--------|-----------------------------|--------|

#### Additional requirements at installation side

Provide the mains and isolating device (on site) with an all-pole switch with at least 3 mm contact distance.  
Electrical work may only be carried out by an instructed person.