

Data Sheet

Installation Diagram



Rex-Royal S500 MCT-HS (2021)
EN | Edition 03/2024

Reservation of intellectual property

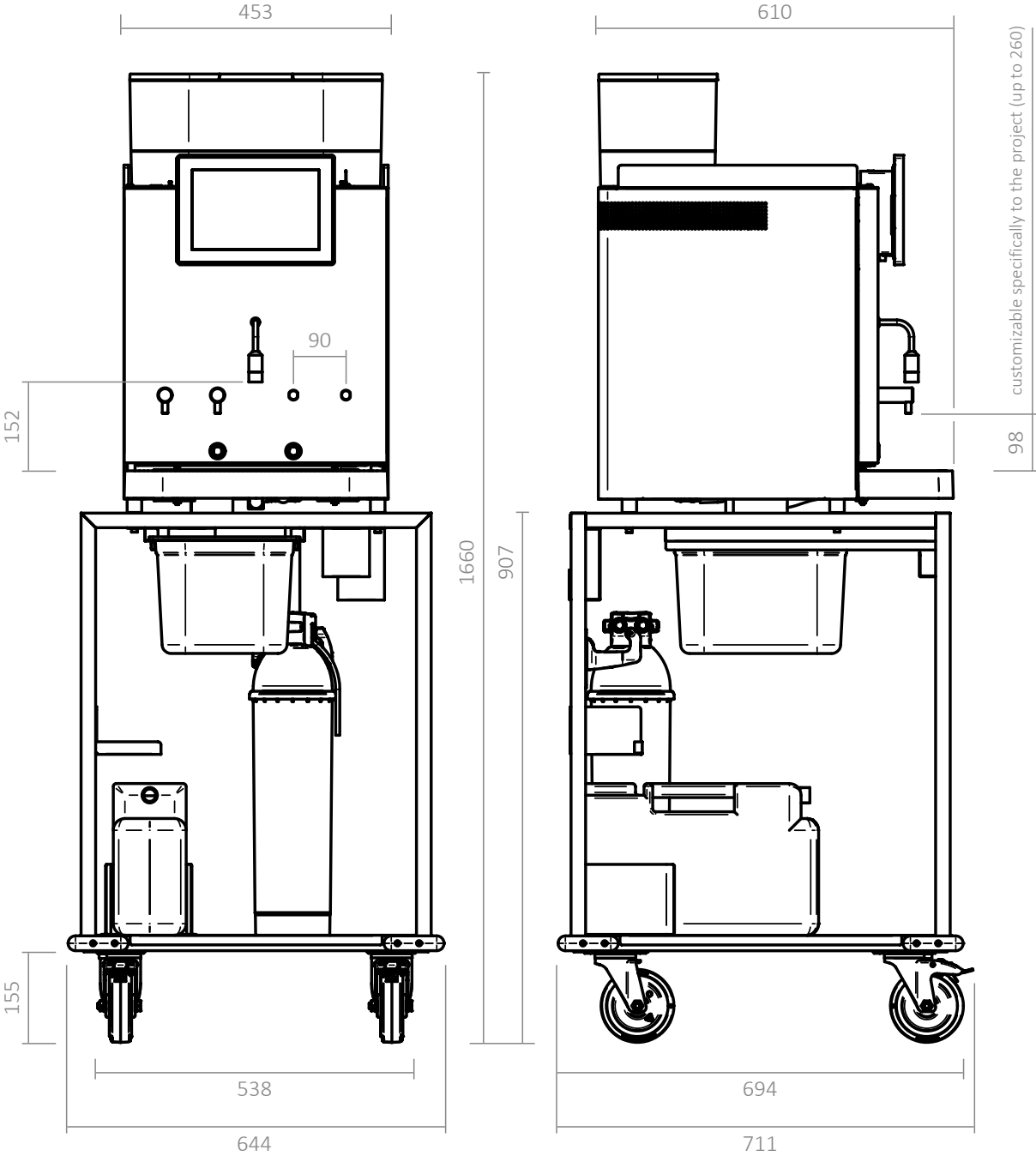
This document and its entire contents are protected by copyright and are the intellectual property of Rex-Royal AG. The document must not be passed on to third parties and is only allowed to be used for the intended purpose. It must be kept in a safe place and protected from access by unauthorised persons.



Rex-Royal S500 MCT-HS

Single Mobile Unit

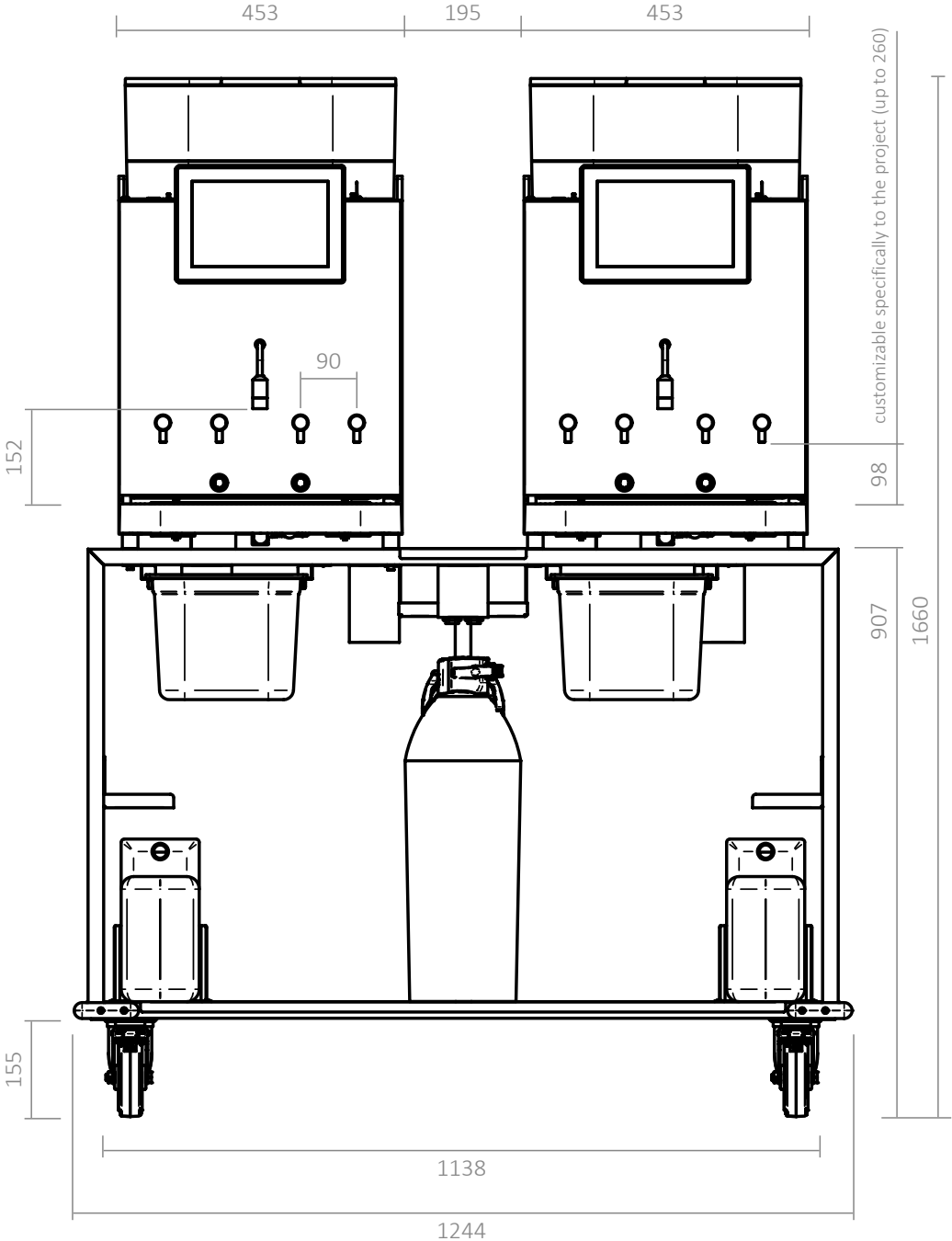
Dimensions (mm)

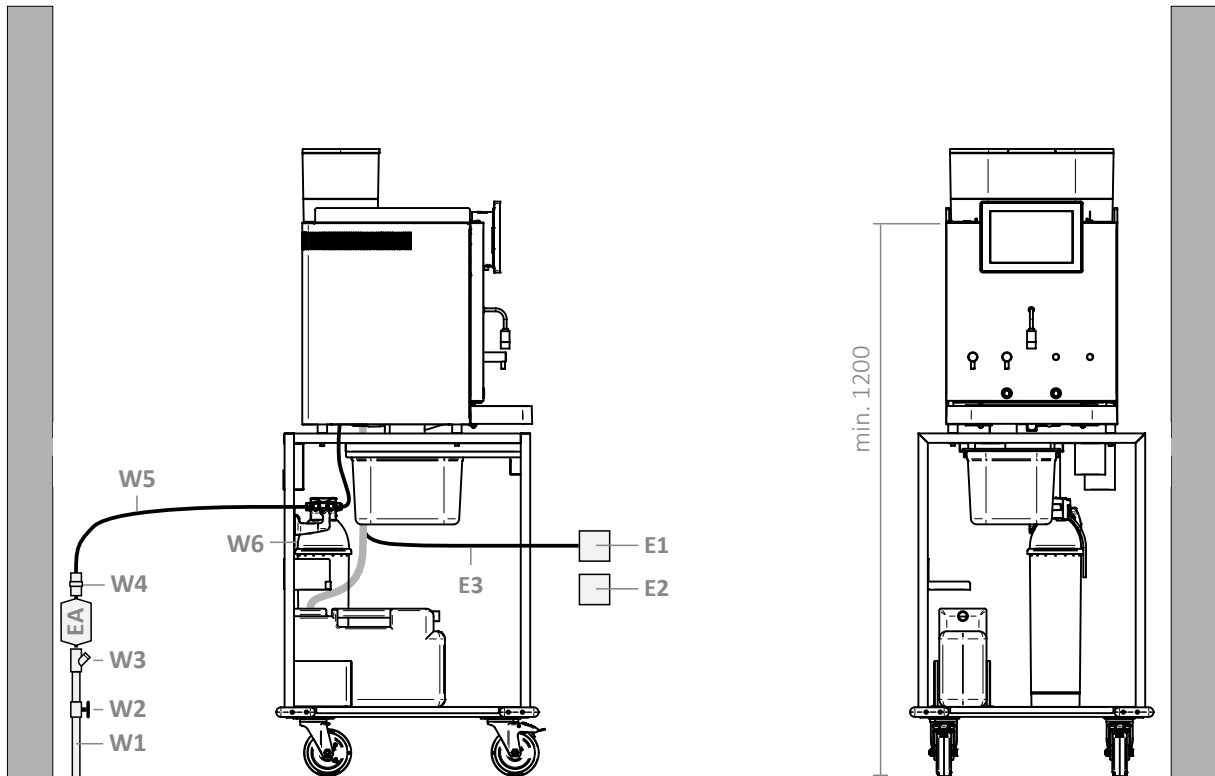


Rex-Royal S500 MCT-HS

Double Mobile Unit

Dimensions (mm)





Connections

E1	Electrical socket Type 25 oder CEE16 <small>(on site)</small>	for Single Mobile Unit	380 - 415 V	50/60 Hz	8.0 - 9.5 kW	16 A
E1+2	Electrical sockets Type 25 oder CEE16 <small>(on site)</small>	for Single Mobile Unit	2x 380 - 415 V	50/60 Hz	8.0 - 9.5 kW	16 A
E3	Power Cable <small>(delivery Rex-Royal)</small>		5 m			
EA	Check valve <small>(on site)</small>	G 3/8" male thread	Type EA	EN13959 tested/certified		
W1	Cold water supply <small>(on site)</small>					
W2	Water tap <small>(on site)</small>					
W3	Fine filter <small>(on site)</small>					
W4	Quick release connector for water <small>(delivery Rex-Royal)</small>	G 3/8" female thread				
W5	Connection tube <small>(delivery Rex-Royal)</small>		2 m	EN13618 - EN61770 tested/certified		
W6	Water filter / softener <small>(delivery Rex-Royal)</small>			EN14743		

Water Quality

Water pressure	2 - 5 bar	Total hardness	8 - 14° fH	5 - 8° dH	89 - 142 ppm
Flow rate	< 0.1 l/sec	Carbonate hardness	6 - 10° fH	3 - 6° dH	54 - 107 ppm
Chlorine content	< 30 ppm/l	Alkalinity	80 - 160 ppm		
Electric conductivity	60 - 220 µS	TDS (Total Dissolved Solids)	70 - 500 ppm		

Performance (pots/hour)

Coffee 200 ml	< 150	Hot water (liters/hour)	< 58
Milk 200 ml	< 150		

Capacity

Bean container	2x 1.5 kg	Insert for coffee powder	23 g
----------------	-----------	--------------------------	------

Versions

MCT-HS (Single Mobile Unit)	120 kg	MCT-HS (Double Mobile Unit)	200 kg
-----------------------------	--------	-----------------------------	--------

Additional requirements at installation side

Provide the mains and isolating device (on site) with an all-pole switch with at least 3 mm contact distance.

Electrical work may only be carried out by an instructed person.