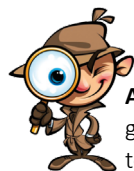


User Manual

Customizing



Agent Coffee®
get your personal
touchscreen...



Rex-Royal S1

Rex-Royal S2

Rex-Royal S300 (2016-2018)*

Rex-Royal S300 (2020-2022)

Rex-Royal S500 (2018-2022)

EN | Edition 01/2023

*only with 10" touchscreen





Table of Contents

Generelle Informationen	Vorbehalt geistiges Eigentum	3
	Anleitung	3
	Do it your-self (Möglichkeiten für den Anwender)	3
USB-Stick	Formatierung	4
	Ordnerstruktur	4
	USB-Schnittstelle	4
	Grafiken auf Kaffeemaschine laden	5
	Grafiken auf Kaffeemaschine entfernen	5
Grafiken	Bildschirmschoner	6
	Produktausgabebilder	7



i There are two different display sizes. Please note the different screen resolutions (pixels).



General information

Reservation of intellectual property

This document and its entire contents are protected by copyright and are the intellectual property of Rex-Royal AG. The document must not be passed on to third parties and is only allowed to be used for the intended purpose. It must be kept in a safe place and protected from access by unauthorised persons.

Instruction

The touchscreen of a Rex-Royal bean-to-cup coffee machine can be customised. Various graphics and videos can be transferred to the coffee machine via the USB interface and designed individually. It is important that the information and warnings in the operating instructions be taken into account.

Do It Your-Self (Options for Users)

Most modifications must be performed by trained service engineers. However, there are also some adjustments that the customer can make directly:

Screen saver	Images/videos shown when inactive
Product dispensing images	Images/videos shown when a beverage is dispensed

USB flash drive

Formatting

A USB flash drive must always be formatted with "FAT32" first. Unfortunately, not all USB flash drives commercially available work. Therefore, we recommend using the following USB flash drive:
SanDisk® Ultra Flair™ USB 3.0 Flash Drive

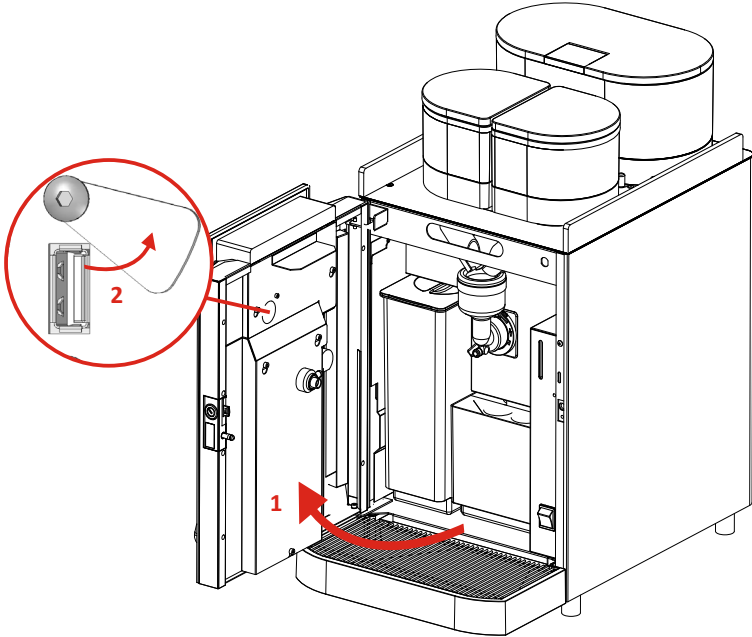
Folder structure

The following folder structure must be maintained so that the user-defined files can be loaded onto the coffee machine. (pay attention to upper and lower case letters)

USB-Stick	
Media	
ProductAdvert	Product dispensing screens
ScreenSaver	Screen saver

USB interface

Open the front door of coffee machine **1** and insert the USB flash drive into the interface **2** provided for this purpose.

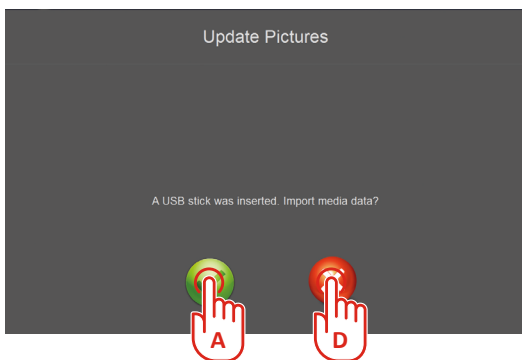


Loading graphics onto coffee machine

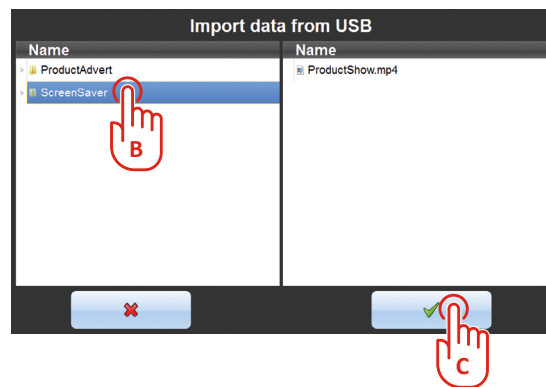
The customised media stored on the USB flash drive can be loaded onto the coffee machine.

Follow the steps below:

- 1 Insert the USB flash drive into the coffee machine. The “Update Pictures” menu appears on the touchscreen.
- 2 Confirm with the green button (A) to go to the next step.
- 3 Select which folder (e.g. ScreenSaver) is to be loaded onto the coffee machine (B). Then confirm with the green button (C).



Menu Update Pictures



- 4 After loading is completed, you return to the first step. If desired, the other folder (e.g. ProductAdvert) can also be loaded. To do this, select the green button (A) and return to step 3.

Have all required folders been loaded? Then select the red button (D) and unplug the USB flash drive.

Clearing graphics onto coffee machine

In order to delete user-defined images and videos again, simply load an empty directory.

Graphics

Screen Saver

If no beverage is selected after a certain period of time, a video appears on the touchscreen when the screen saver is activated.

The screen saver can be activated in menu 17.06 (Machine settings). Menu 17.07 defines the time after which the screen saver starts. Menu 17.08 defines how long the image will remain displayed. After the active time (17.08) has expired, the standard screen (product selection) is displayed again. Menu 17.09 defines the interval after which a new image is shown.



ProductShow.mp4 (original Rex-Royal)

The original Rex-Royal video can be replaced by your own images or videos.
Place the files in the following folder structure:



USB-Stick:\Media\ScreenSaver

Professional tip:
The folders are also allowed to be named differently, but must start with "ScreenSaver".
(e.g. ScreenSaver_July2022)

The images must meet the following criteria:

Formats	JPG, PNG
Resolution	max. 1280x800 pixels
File name	selectable (e.g. default.jpg)

The videos must meet the following criteria:

Format	H.264/MPEG-4 AVC (MP4)
Frames	max. 30 fps
Resolution	max. 1280x800 pixels
Audio	no audio track
File name	selectable (e.g. default.mp4)

i You can use several images/videos for the screen saver. They are sorted by file name (alphabetically) on the touchscreen.

Videos are always played in full.

→ Continue in chapter "Loading graphics onto coffee machine" on page 5

Product Dispensing Images

If a product is selected in self-service mode, an advertising video will be displayed while the product is dispensed.



P_ADV00.mp4 (original Rex-Royal)

The original Rex-Royal video can be replaced by your own images or videos.
Place the files in the following folder structure:



USB-Stick:\Media\ProductAdvert

Professional tip:
The folders are also allowed to be named differently, but must start with "ProductAdvert".
(e.g. ProductAdvert_July2022)

You can load your own advertising images or advertising videos.
The images must meet the following criteria:

Formats	JPG, PNG
Resolution	max. 1280x800 pixels

Format	H.264/MPEG-4 AVC (MP4)
Frames	max. 30 fps
Resolution	max. 1280x800 pixels
Audio	no audio track

Your own advertising image or advertising video for each individual product (max. 24):

File name	P_ADV01 — P_ADV24 (mandatory)
------------------	-------------------------------

Your own image or video for all products:

File name	P_ADV00 (mandatory)
------------------	---------------------

The file "P_ADV00" is displayed if there are no product-specific media (P_ADV01–24).

→ Continue in chapter "Loading graphics onto coffee machine" on page 5



Rex-Royal AG | Swiss Coffee Machines | Industriestrasse 34 | CH-8108 Daellikon / Zuerich
T: +41 44 847 57 57 | info@rex-royal.ch | www.rex-royal.ch

Subject to Change