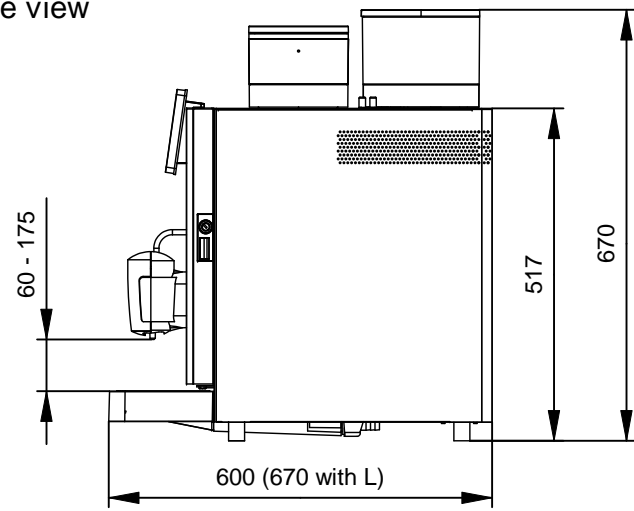


SCS Compact (2018)

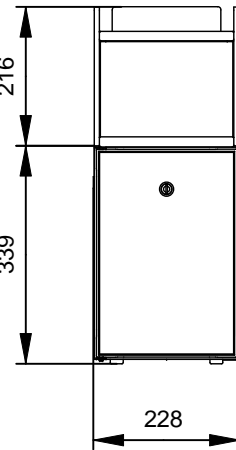
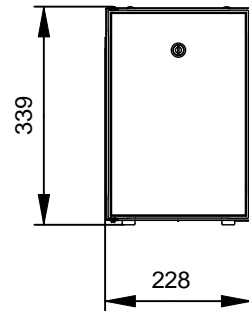
Switch for power supply: main switch to be installed on site (client)

side view

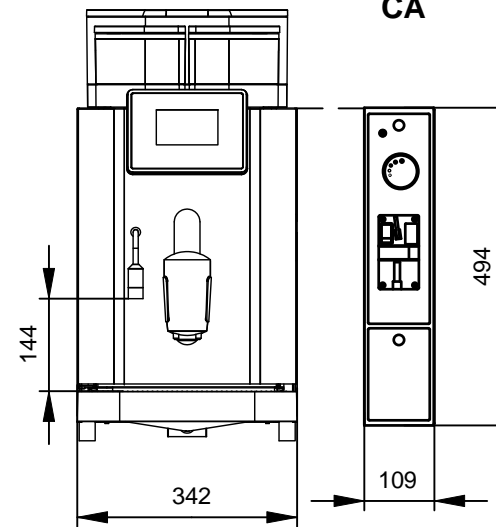


Element LV / Lvd / Ls / Lsd

Element L / Ld

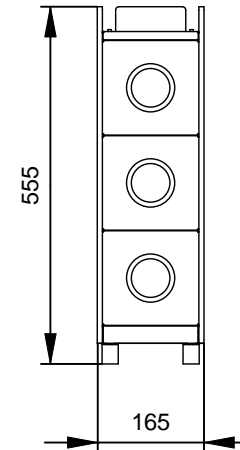


SCS Compact

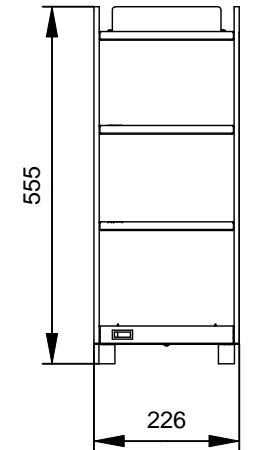


CA

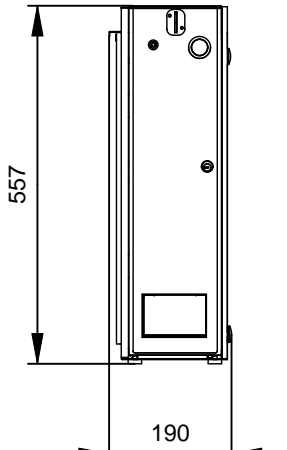
Element CD



Element W



CC

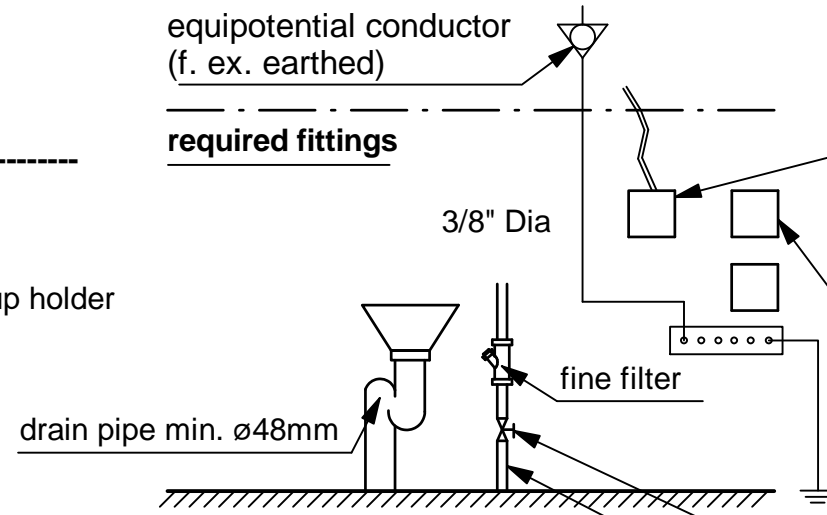


- CT = coffee / tea
- MCT = milk / coffee / tea
- CTI = coffee / tea / instant
- MCTI = milk / coffee / tea / instant

- W = cup warmer
- CD = cup dispenser
- L / Ld = Refrigerator 4L
- Lv / Lvd = Refrigerator 4L with heated cup holder
- Ls / Lsd = Refrigerator 4L with dispenser
- CC = coin changer
- CA = coin acceptor

Must be connected to an equipotential conductor (f. ex. earthed)

required fittings

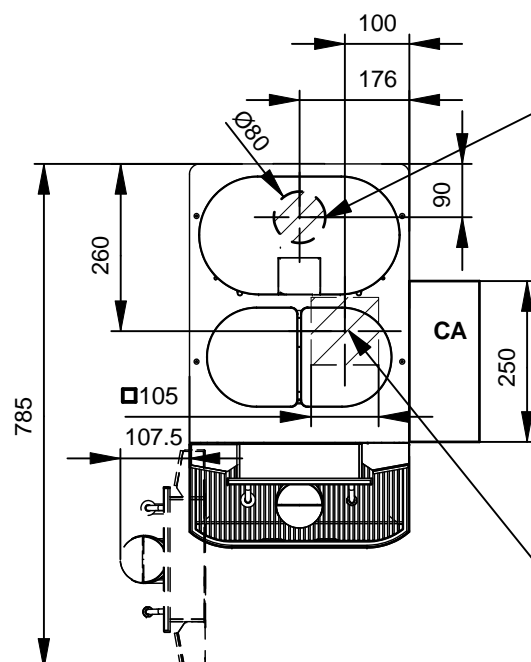
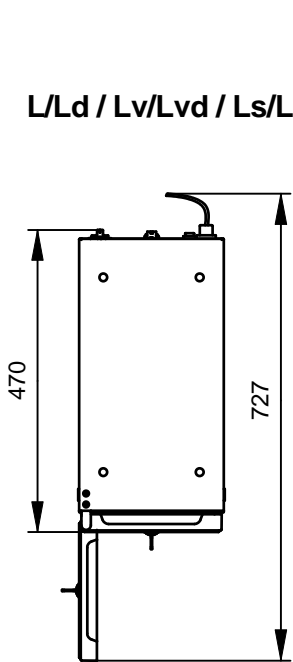


Typ MCT MCTI
400V 2N 16A 3,8kW
1 Input lead 4x1,5mm² with switch or main switch with contact gaps of at least 3mm

Typ CT CTI MCTI
230V 1N 10A 2,0kW
1 Input lead 3x1,5mm² with switch or main switch with contact gaps of at least 3mm

required water carbonite hardness:
8 - 14 French degrees or
5 - 8 German degrees or
80 - 140 USA degrees or
5.6 - 9.8 English degrees clark

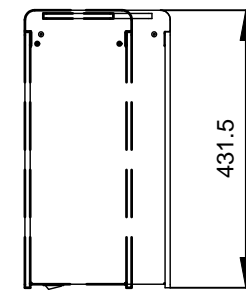
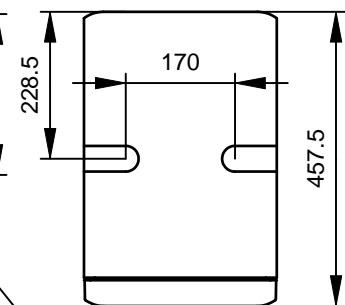
L/Ld / Lv/Lvd / Ls/Lsd



cut-out for piping riring (insert collar)

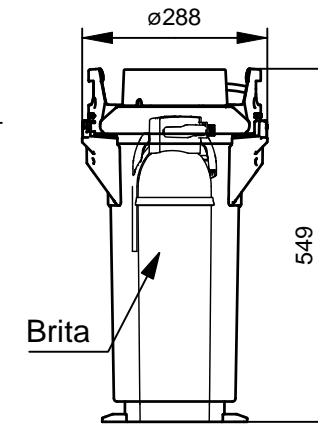
Element UBR

W / CD / CC

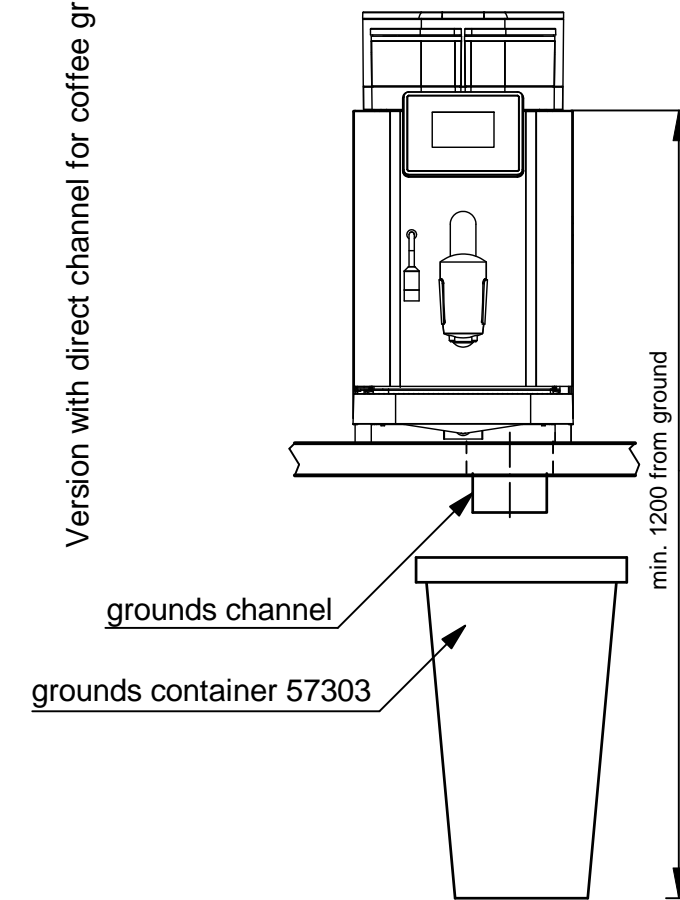


cut-out for base waste grounds container (insert collar)

main tap
cold water supply 2 - 5 bar (70 psi)



Version with direct channel for coffee grounds



Works on electrical should be done by experts only

<h2>Installation drawing</h2>	Masstab	Gezeichnet	16/14	dpo
	%	Gepueft		
		Blatt		
		von		
rex-royal		33694		Index
Rex-Royal AG Industriestrasse 34 CH-8108 Daellikon-Zuerich		Tel. 044/847 57 57 Fax 044/847 57 09		Datum
				B
				19/02